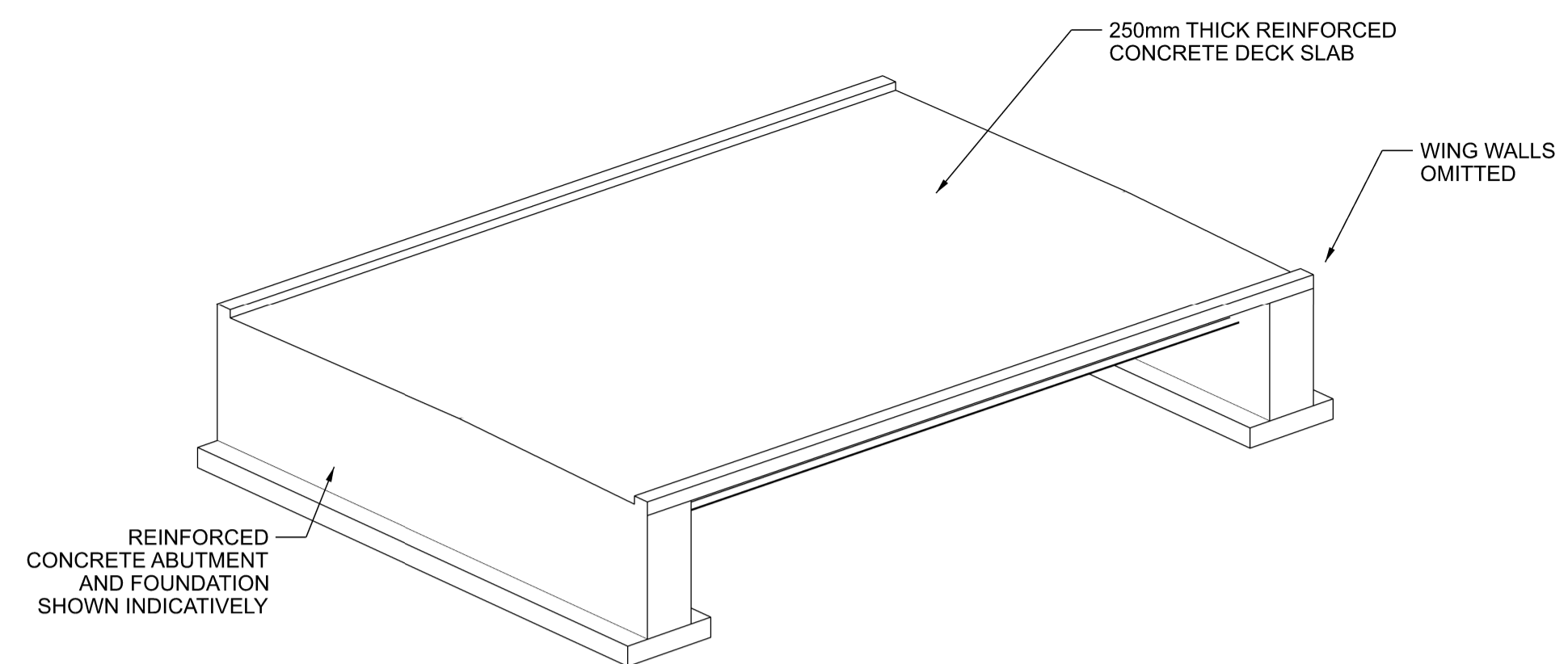
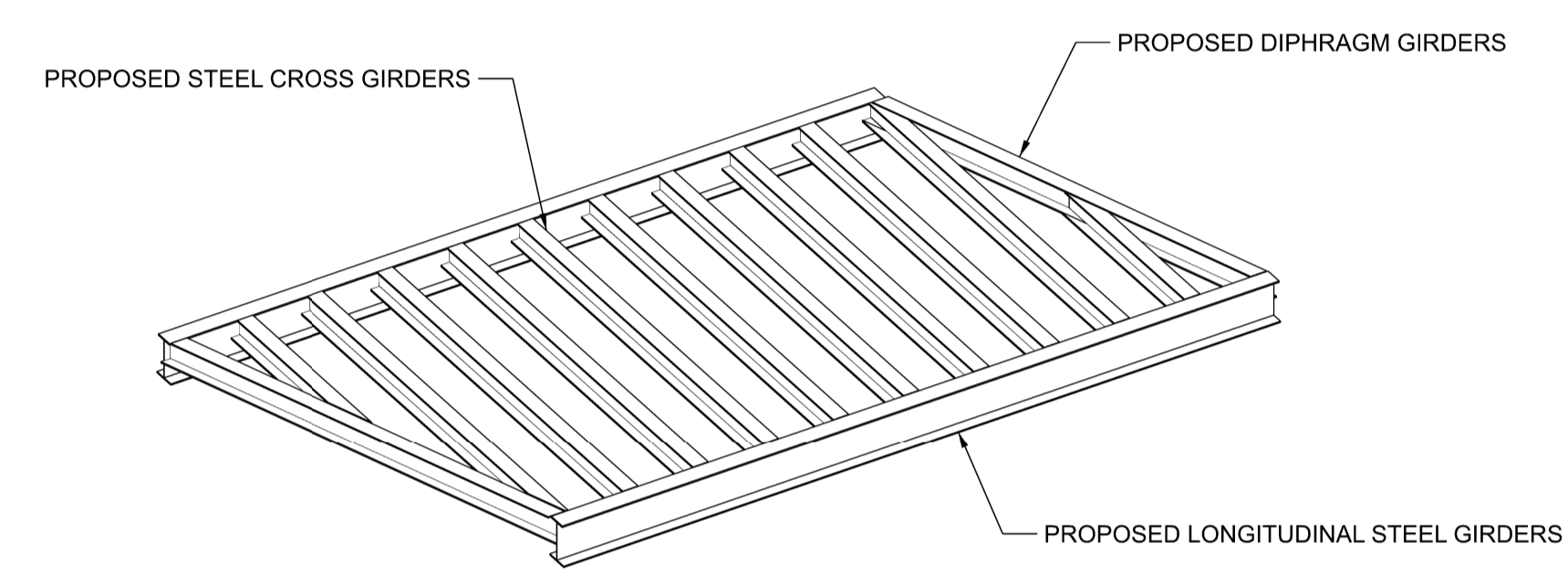


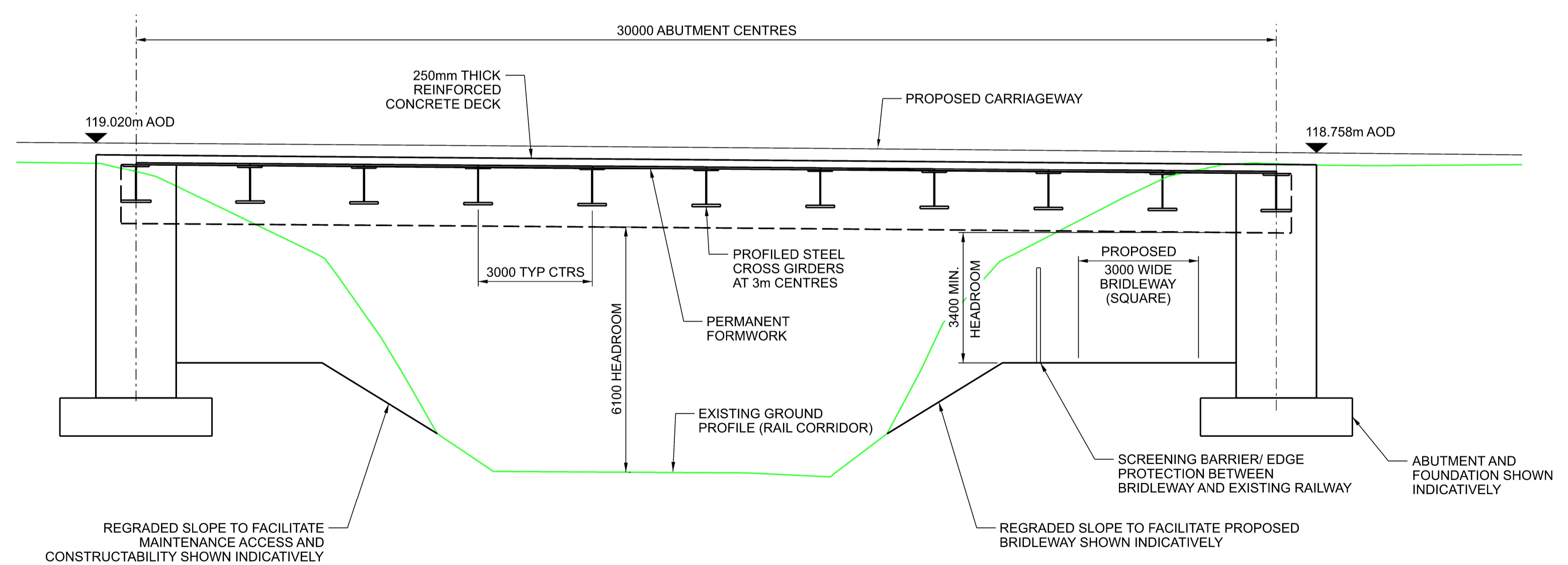
PLAN
SCALE 1:250



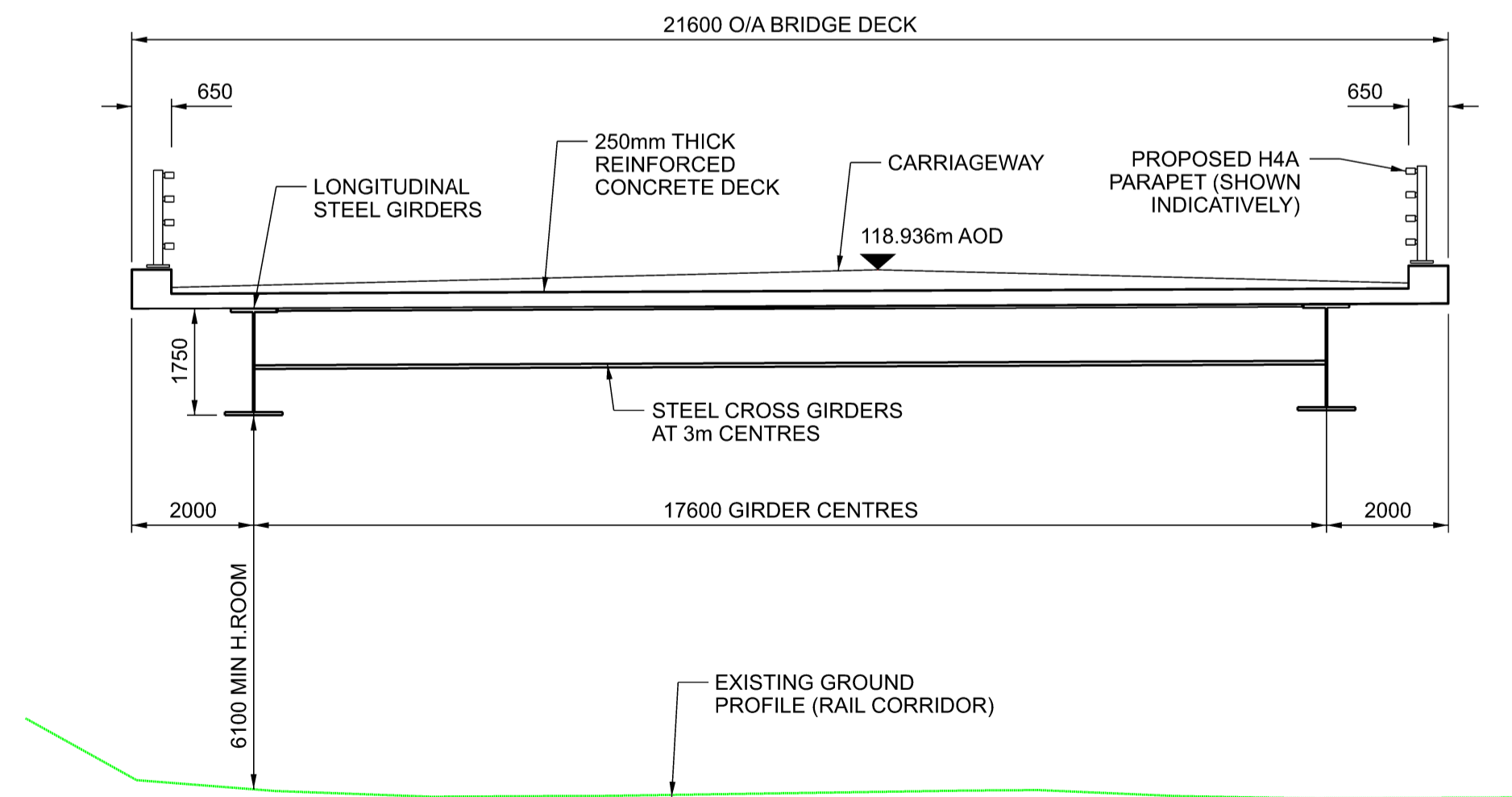
3D VIEW 1
SCALE 1:250



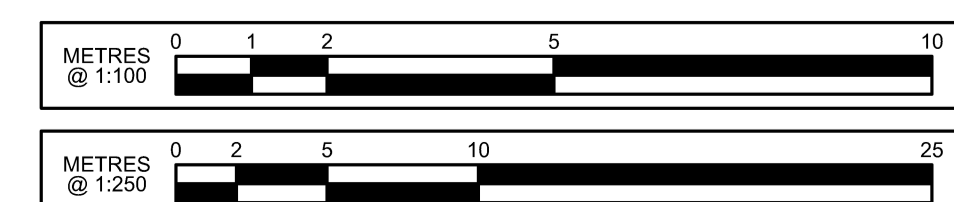
3D VIEW 2
STEELWORK - DECK SLAB AND SUBSTRUCTURE OMITTED FOR CLARITY
SCALE 1:250



LONGSECTION A-A
SCALE 1:100



CROSS SECTION B-B
SCALE 1:100



- NOTES-GENERAL**
- DO NOT SCALE FROM THIS DRAWING.
 - ALL DIMENSIONS ARE IN MILLIMETRES UNLESS SHOWN OTHERWISE.
 - ALL LEVELS IN METRES ABOVE ORDANCE DATUM.
 - ALL DIMENSIONS TO BE CHECKED ON SITE BY CONTRACTOR.
 - ALL DIMENSIONS ARE TO BE CONFIRMED DURING DESIGN DEVELOPMENT.

ABBREVIATIONS

CTRS - CENTRES
MIN - MINIMUM
O/A - OVERALL
TYP - TYPICAL

P02	20.02.26	DCO Submission	DJ	JT	DM
P01	30.01.26	For Comment	DJ	JT	DM
Rev	Date	Details of issue / revision	Drw	Ch'g	Apv



THE OXFORDSHIRE STRATEGIC RAIL FREIGHT INTERCHANGE AND HIGHWAYS ORDER 202X

**BRIDGE PLANS
B430 ARDLEY BYPASS /
CHILTERN MAIN LINE
OVERBRIDGE (BRIDGE 07)**

Regulation:	5(2) (o)	Document:	2.12B
Drawn:	D. Jones	Checked:	J. Turton
Approved:	D. Mayadunne	Date:	30.01.26
BWB Ref:	NTH2479	Scale@A1:	As Shown
Project - Originator - Functional Breakdown - Spatial Breakdown - Form - Discipline - Number			
OxSRFI-BWB-LSI-XX-DR-CB-0122			
Drawing Status	DCO SUBMISSION		Rev
			P02